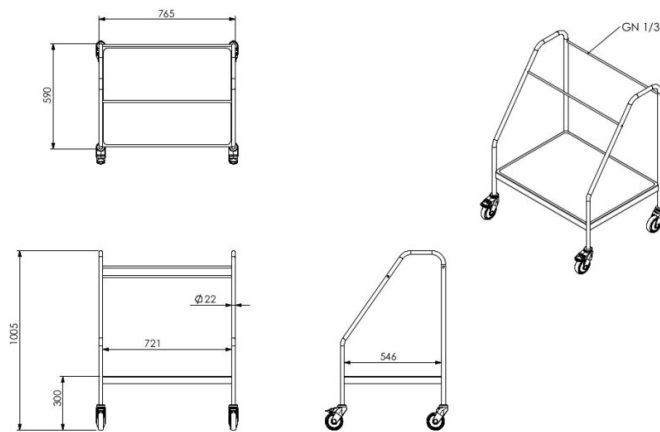


Tray and cutlery trolley TRV 75



- **Product code:** TRV 75



- stainless steel trolley for storing trays and cutlery
- top shelf fits four GN 1/3 containers
- depending on the size of trays, the trolley fits ca 200 trays
- surface with elevated edge
- wheels of the trolley with 100 mm diameter(2 lockable wheels), wheels have ball bearings
- GN containers and trays are not included in the set

[Technical drawing, PDF-file](#)