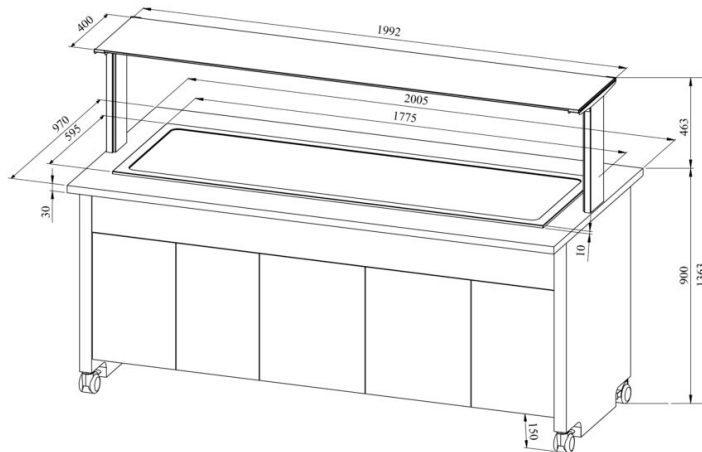


# Warm serving buffet TREND LTV T 5GN



- **Product code:** TREND LTV T 5GN
- **Dimensions, mm (w\*d\*h):** 2005\*970\*1363
- **Drop In soetasapind (laius\*sügavus\*kõrgus):** 1775\*595\*300
- **Operating temperature:** +30...+95
- **Degree of protection:** IP44
- **Capacity (kW):** 0,25
- **Frequency (Hz):** 50
- **Voltage (V):** 220 - 230



- warm serving buffet is intended for short-term storage of foodstuffs at +30°C to +95°C
- „Drop-In warm“ plate can be mounted on tabletop
- manually adjusted operating temperature
- upper shelf with lighting, clear glass splash guard
- warm plate fits GN 1/1 (5 pcs)
- buffet is on wheels, allowing easier transport (2pcs lockable wheels)
- neutral cupboard at the lower part of the buffet
- illustrative image shows buffet with UTP G upper shelves
- **Accessories available on order:**
  - various upper shelves (see the product group of upper and hand out shelves)

[Technical drawing, PDF-file](#)