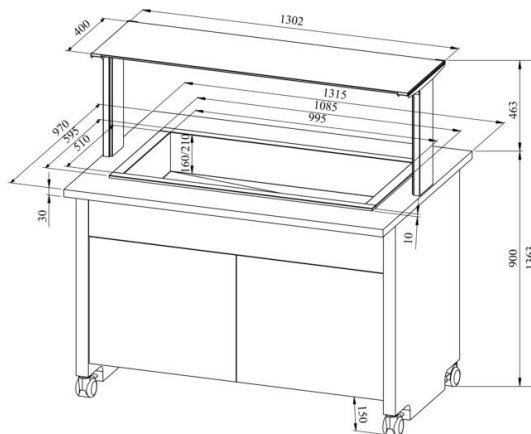


Warm serving buffet TREND LTV 3GN



- **Product code:** TREND LTV 3GN
- **Dimensions, mm (w*d*h):** 1315*970*1363
- **Drop In soesüvend (laius*sügavus*kõrgus):** 1085*595*300
- **Operating temperature:** +30...+95
- **Degree of protection:** IP44
- **Capacity (kW):** 1,65
- **Frequency (Hz):** 50
- **Voltage (V):** 220 - 230



- warm serving buffet is intended for short-term storage of foodstuffs at +30°C to +95°C
- Drop-In warm basin can be mounted on tabletop
- manually adjusted operating temperature
- upper shelf with lighting, clear glass splash guard
- basin, fits containers GN 1/1-150 (3 pcs)
- drain connection with valve at the bottom of basin
- buffet is on wheels, allowing easier transport (2pcs lockable wheels)
- neutral cupboard at the lower part of the buffet
- illustrative image shows buffet with UTP G upper shelve
- **Accessories available on order:**
 - various upper shelves (see the product group of upper and hand out shelves)
 - basin, depth 200mm

[Technical drawing, PDF-file](#)

RESTMEC