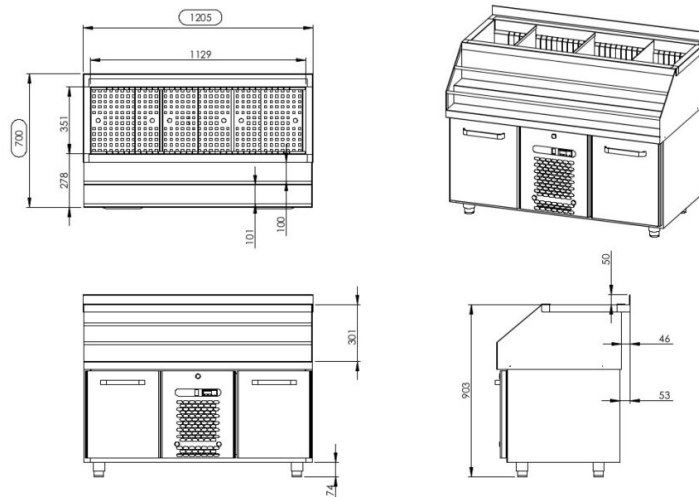


Cold counter for barmen BMO 1200



- **Product code:** BMO 1200
- **Dimensions, mm (w*d*h):** 1205*700*900
- **Operating temperature:** +2 +8
- **Degree of protection:** IP44
- **Refrigerant:** R290
- **Capacity (kW):** 0,4
- **Frequency (Hz):** 50
- **Voltage (V):** 220 - 230



- cold counter is intended for storage of beverages at +2 °C to +8 °C
- made of stainless steel
- digital temperature display
- automatic defrost system
- quickly replaceable refrigerating compressor
- drawer 460mm (2pcs): (internal dimensions: 520mm x 303mm x (h) 355mm)

RESTMEC

Cold counter for barmen BMO 1200

- drawer allows placing bottles or beverage crates
- ice chest with drain connection
- ice chest with removable dividers
- grate at the bottom of ice chest
- ice chest depth 250mm
- bottle holder 2 pcs
- adjustable feet allow adjusting height of ± 30 mm

Accessories available on order:

- stainless steel sliding rails for drawers
- possible to order without splash guard