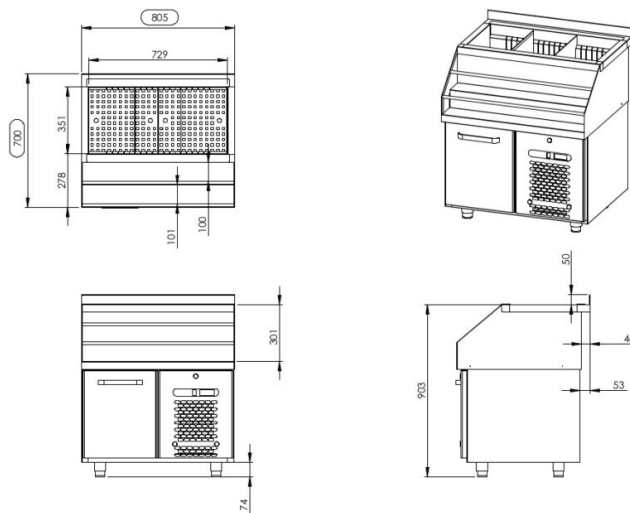


# Cold counter for barmen BMO 800



- **Product code:** BMO 800
- **Dimensions, mm (w\*d\*h):** 805\*700\*900
- **Operating temperature:** +2 .... +8
- **Degree of protection:** IP44
- **Refrigerant:** R290
- **Capacity (kW):** 0,4
- **Frequency (Hz):** 50
- **Voltage (V):** 220 - 230



- cold counter is intended for storage of beverages at +2 °C to +8 °C
- made of stainless steel
- digital temperature display
- automatic defrost system
- quickly replaceable refrigerating compressor
- drawer 460mm: (internal dimensions: 520mm x 303mm x (h) 355mm)

**RESTMEC**

# Cold counter for barmen BMO 800

- drawer allows placing bottles or beverage crates
- ice chest with drain connection
- ice chest with removable dividers
- grate at the bottom of ice chest
- ice chest depth 250mm
- bottle holder 2 pcs
- adjustable feet allow adjusting height of  $\pm 30$  mm

## **Accessories available on order:**

- stainless steel sliding rails for drawers
- possible to order without splash guard