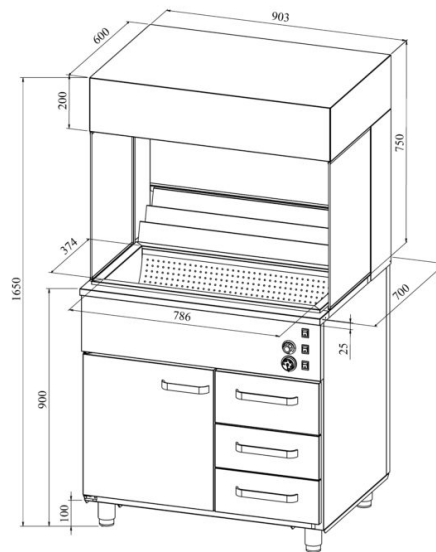


French fry station



- made of stainless steel
- thermostat-adjusted drawers and cavity temperature range from +30 °C to +95 °C
- drawer 163 mm (2 pcs): GN 1/1-100
- drawer 193 mm (1 pc): GN 1/1-150
- drawers for GN containers move on self-locking telescopic rails
- drawers open 110%, making it easier to place GN containers in the drawer
- at the bottom, a neutral cupboard with a door for accessories etc.
- insulated warm basin at the top, Drop-in removable basin inside (easy to clean/wash), inside the Drop-in basin a radius grate for salting french fries
- heat lamps at the top
- storage shelves for french fry bags
- a mirror on the rear wall

[Technical drawing, PDF-file](#)