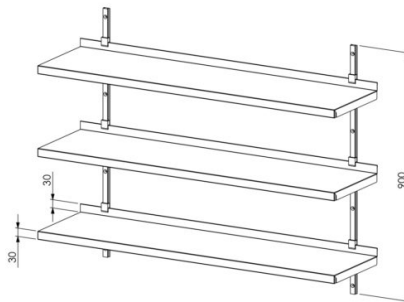


Wall shelf SR 3TP



- **Product code:** SR 3TP



- stainless steel wall shelf
- surfaces are from 1.0 mm stainless steel
- back edge 30 mm
- steplessly adjustable shelf carriers and wall rails are from aluminium
- standard depths are 300, 400 or 500 mm
- number of shelves in one module according to client's preferences
- standard height of the shelf carrier is 300, 600, 900 mm, etc.
- wall shelf length 300–2900 mm
- instead of aluminium rails and carriers it is also possible to order stainless steel shelf carriers with wall fixtures

Please indicate in the order:

- number of surfaces
- carrier type (aluminium or stainless steel)

[Technical drawing, PDF-file](#)