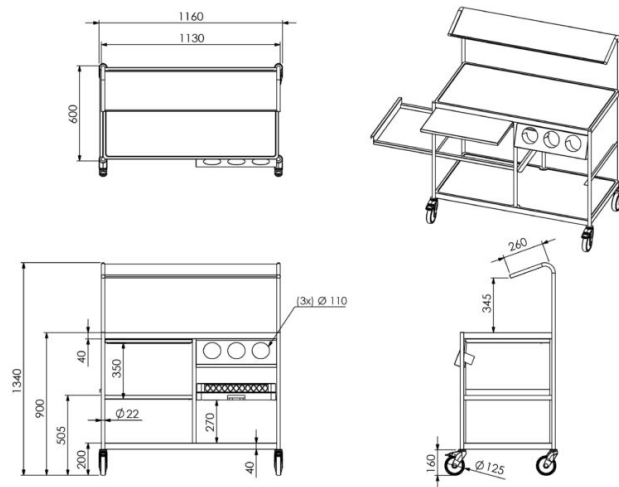


Tableware return trolley PAV 1130



- stainless steel structure
- upper shelf with dimensions of 1/2 for dishwashing baskets (500 x 250 mm) (baskets not included)
- pull-out auxiliary level surface where the trays can be placed on the left under the worktop
- three openings for returning (sorting) the cutlery under the worktop, guiderails for a dishwashing basket under the openings where the cutlery boxes can be placed (basket/boxes not included)
- pull-out bottom shelf for waste bins at the left end
- equipped with wheels, 2 of them lockable

[Technical drawing, PDF-file](#)