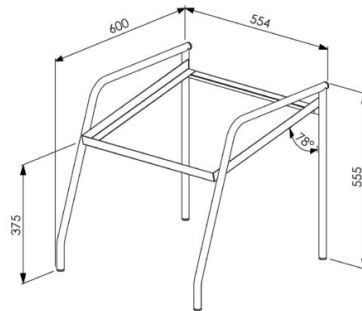


# Tabletop shelf AKT 21



- **Product code:** AKT 21
- **Dimensions, mm (w\*d\*h):** 554\*600\*555



- stainless steel structure
- mounted on the worktop
- tilted rails for 500 x 500 mm glass baskets (baskets not included)
- the rails' ends are elevated to prevent the baskets from sliding out
- hold 1 basket

[Technical drawing, PDF-file](#)