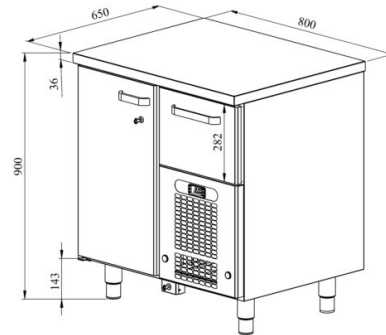


## Locking system VLE (drawers/counters)



- additional safety feature, central locking system (at the bottom edge)
- the central locking system is suitable for cold counters with dimensions up to 2000 mm
- allows separate locking of the door only (single key that locks both the door and the drawers)