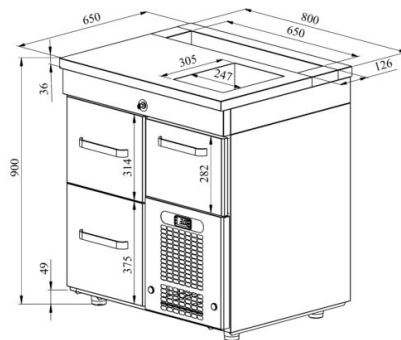


## Locking system BM – PA (drawers)



- additional safety feature, central locking system with panel
- the central locking system is suitable for cold counters with dimensions up to 2000 mm