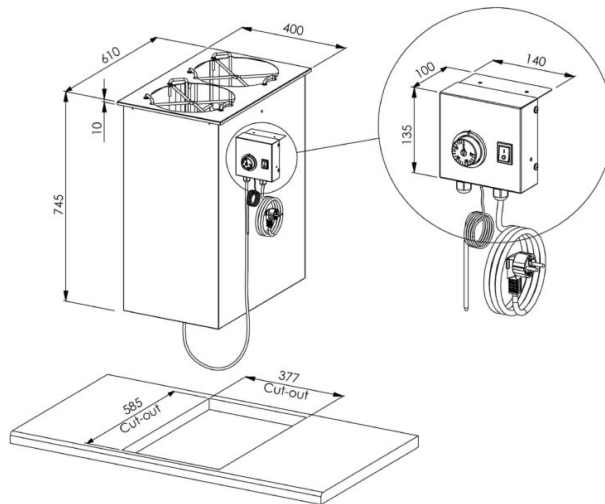


Drop-In plate dispenser LJL DI 2*280



- **Product code:** LJL DI 2*280



- stainless steel plate dispenser, can be mounted on worktop or frame
- two plate cylinders – heated
- max operating temperature 40 °C
- holds ca 130 plates
- max plate diameter 280 mm
- cut-out hole 377 x 585 mm
- edge height 10 mm from the furniture top surface

[Technical drawing, PDF-file](#)