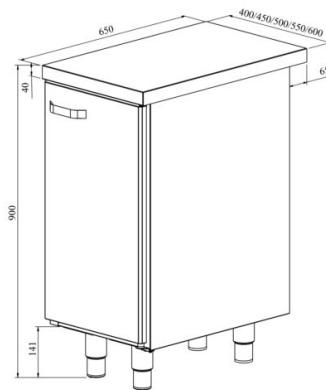


Work table module cupboard UB KSK 400....600 P (right door)



- **Product code:** UB KSK 400 P
- **Product code:** UB KSK 450 P
- **Product code:** UB KSK 500 P
- **Product code:** UB KSK 550 P
- **Product code:** UB KSK 600 P



- made of stainless steel
- module with doors
- placement of modules can be easily changed
- modules can be fitted under a single work top, they can also be used as an extension for a cold counter
- cupboard outer dimensions available on order in the range of 400–600 mm (at 50 mm interval)
- cupboard contains one adjustable shelf
- adjustable feet allow adjusting work table height in the range of 855–915 mm
- **Accessories for work table module available on order:**
 - single plate for the modules (various modules can be combined under one work top)
 - sink
 - option to install back wall (specify in order)

[Technical drawing, PDF-file](#)