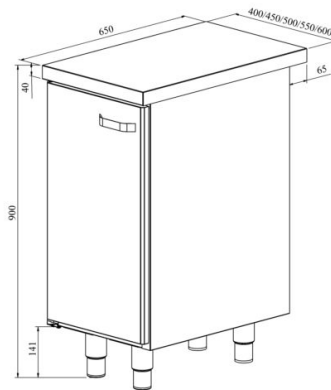


# Work table module cupboard UB KSK 400....600 V (left door)



- **Product code:** UB KSK 400 V
- **Product code:** UB KSK 450 V
- **Product code:** UB KSK 500 V
- **Product code:** UB KSK 550 V
- **Product code:** UB KSK 600 V



- made of stainless steel
- module with doors
- placement of modules can be easily changed
- modules can be fitted under a single work top, they can also be used as an extension for a cold counter
- cupboard outer dimensions available on order in the range of 400–600 mm (at 50 mm interval)
- cupboard contains one adjustable shelf
- adjustable feet allow adjusting work table height in the range of 855–915 mm
- **Accessories for work table module available on order:**
  - single plate for the modules (various modules can be combined under one work top)
  - sink
  - option to install back wall (specify in order)

[Technical drawing, PDF-file](#)