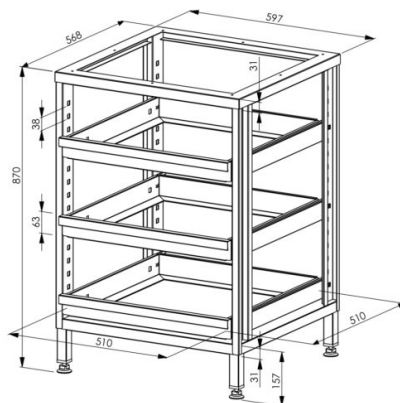


Basket unit KKÜ



- Product code: KKÜ
- Dimensions, mm (w*d*h): 597*568*870



- stainless steel structure
- for 500 x 500 mm basket units
- 3 pairs of telescopic rails
- adjustable shelf height
- adjustable feet

[Technical drawing, PDF-file](#)