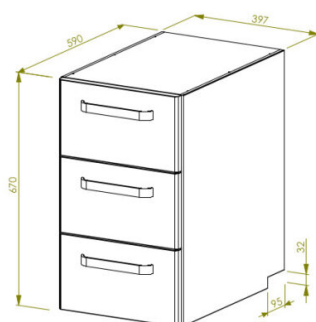


Counter for work table SBRP3



- **Product code:** SBRP3
- **Dimensions, mm (w*d*h):** 397*590*670



- made of stainless steel
- 3 drawers

[Technical drawing, PDF-file](#)

RESTMEC