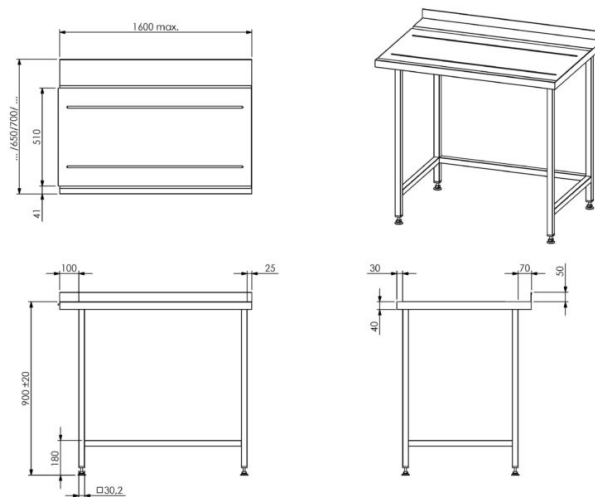


Unloading table



- **Product code: JPL**



- stainless steel worktop
- splash guard at the back of the table with standard height of 50mm (can be ordered with maximum height of 200mm)
- table has dishwasher interface (NB! interface corresponding to dishwasher model – customer provides relevant information)
- guide grooves for baskets
- stainless steel square tube work table frame (30x30mm)
- adjustable feet allow adjusting height of ± 20 mm
- **Unloading table accessories available on order:**
 - flat or perforated bottom shelf
 - without shelf

[Technical drawing, PDF-file](#)