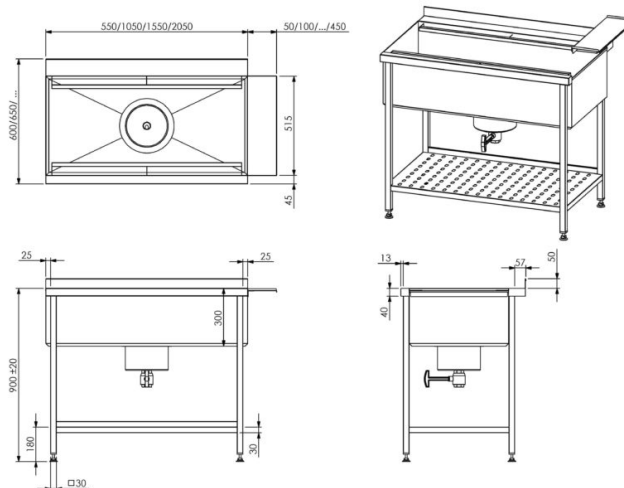


Pre-wash table with basin EPLS



- **Product code:** EPLS



- stainless steel worktop
- splash guard at the back of the table with standard height of 50mm (can be ordered with maximum height of 200mm)
- table has dishwasher interface (NB! interface corresponding to dishwasher model – customer provides relevant information)
- sink equipped with debris screen
- guide grooves for baskets
- stainless steel square tube work table frame (30x30mm)
- adjustable feet allow adjusting height of ± 20 mm
- **Pre-wash table accessories available on order:**
 - ball valve for closing drain connection
 - flat bottom shelf
 - perforated bottom shelf
 - without shelf

[Technical drawing, PDF-file](#)