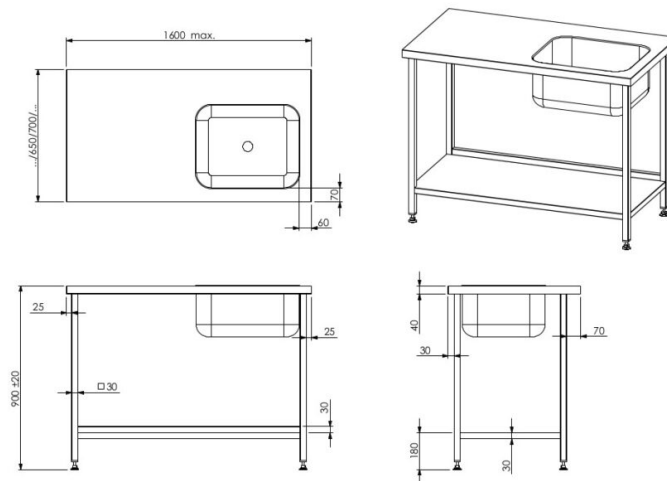


Sink table TLV



- **Product code:** TLV



- stainless steel worktop
- support structure underneath worktop
- suitable sink is available from wide selection of sinks with standard dimensions
- indicate sink dimensions on order (see the gallery)
- stainless steel square tube work table frame (30x30mm)
- adjustable feet allow adjusting height of ± 20 mm
- work table standard depth 650mm
- **Work table accessories available on order:**
 - cupboard or drawers under the table
 - splash guard at the back of the table with standard height of 50 mm (can be ordered with maximum height of 200mm)
 - flat bottom shelf
 - perforated bottom shelf
 - without shelf
 - debris screen

[Technical drawing, PDF-file](#) [Technical drawing, PDF-file \(sinks\)](#)