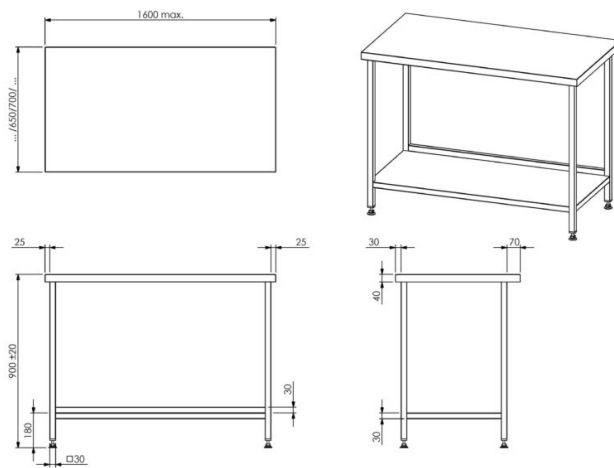


Work table TL



- **Product code:** TL



- stainless steel worktop
- support structure underneath worktop
- stainless steel square tube work table frame (30x30mm)
- adjustable feet allow adjusting height of ± 20 mm
- work table standard depth 650mm
- **Work table accessories available on order:**
 - cupboard or drawers under the table
 - splash guard at the back of the table with standard height of 50 mm (can be ordered with maximum height of 200mm)
 - without shelf

[Technical drawing, PDF-file](#)