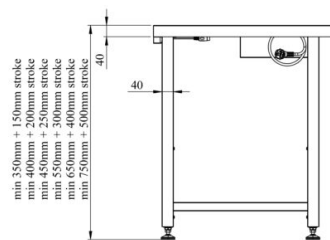
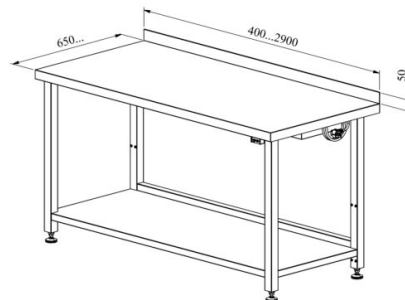


# Height adjustable work table, electrical



- stainless steel structure
- electric height adjustment
- hydraulic hoisting system
- height adjusted depending on order at intervals of 150mm, 200mm, 300mm, 400mm
- minimum work table height depends on the lift cylinder stroke length (NB! shown in the drawing)
- work table length range 400–2900mm depending on order
- standard depth 650mm, can be changed depending on order
- maximum load capacity 200kg
- accessories available on order

[Technical drawing, PDF-file](#)