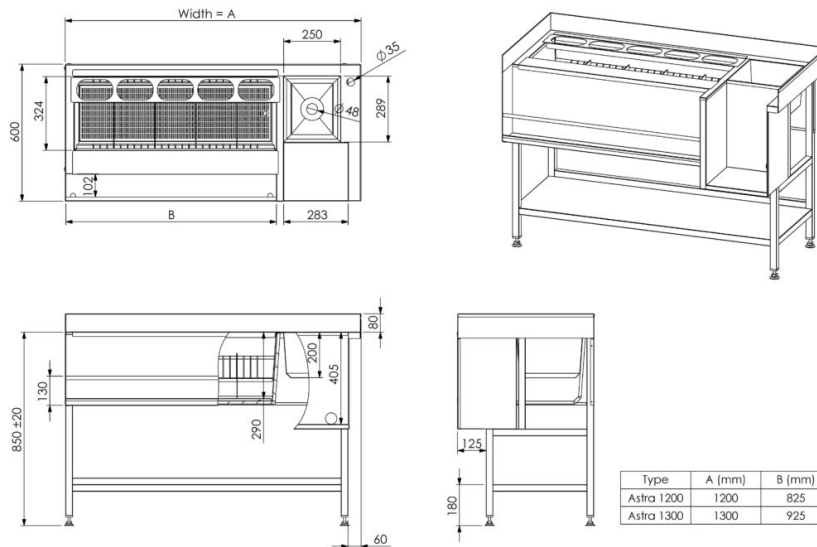


# Barmodul Astra 1200



- **Product code:** Astra 1200
- **Dimensions, mm (w\*d\*h):** 1200\*600\*850/930



- stainless steel structure
- ice chest depth 300mm
- ice chest with drain connection
- ice chest with removable dividers
- grate at the bottom of ice chest
- removable support for GN containers 1/9 (4 openings, containers not included)
- bottle holder
- base for blender
- sink with dimensions 250\*290\*200mm
- mixer mounting hole ( $\varnothing 35$  mm), mixer not included
- adjustable feet allow adjusting height of  $\pm 20$  mm

[Technical drawing, PDF-file](#)