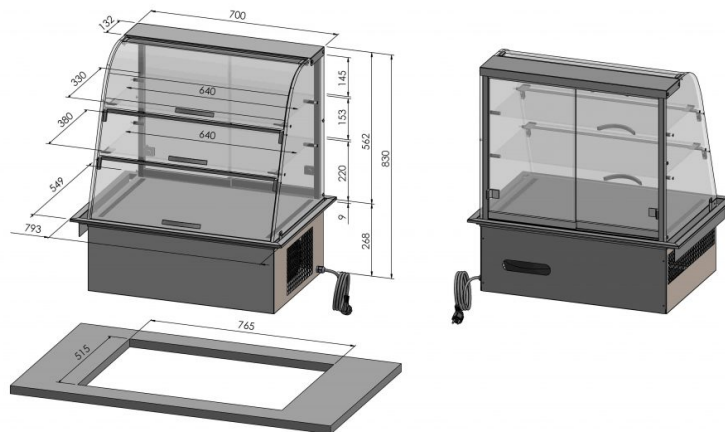


Glass display Vivian KL 700/2



- **Product code:** KL 700/2
- **Dimensions, mm (w*d*h):** 793*549*562
- **Operating temperature:** +8 ...+12
- **Degree of protection:** IP44
- **Refrigerant:** R290
- **Capacity (kW):** 0,4
- **Frequency (Hz):** 50
- **Voltage (V):** 220 - 230



- cold display for short-term distribution of food at +8°C to +12°C (digital temperature display)
- lift-up doors on customer side
- easy sliding glass doors on vendor side
- stainless steel structure
- display can be mounted on tabletop or frame
- ventilator-cooled
- glass shelves
- LED lighting in upper part of display

[Technical drawing, PDF-file](#)