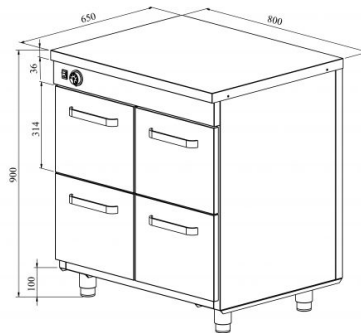


Heated cupboard with neutral top LK 804



- **Product code:** LK 804
- **Dimensions, mm (w*d*h):** 800*650*900
- **Operating temperature:** +30...+95
- **Degree of protection:** IP44
- **Capacity (kW):** 0,75
- **Frequency (Hz):** 50
- **Voltage (V):** 220 - 230



- neutral worktop made of stainless steel
- stainless steel structure
- thermostat-adjusted temperature range from +30 °C to +95 °C
- mechanical thermostat
- drawer 314mm (4 pcs): GN 1/1-200
- drawers for GN containers move on self-locking telescopic rails
- drawers open 110%, making it easier to place GN containers in the drawer
- adjustable feet allow adjusting height in the range of 880–910mm

[Technical drawing, PDF-file](#)