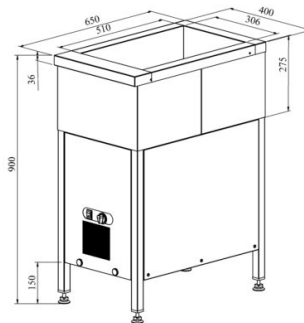


# Cold basin with open stand KAJ 400



- **Product code:** KAJ 400
- **Dimensions, mm (w\*d\*h):** 400\*650\*900
- **Operating temperature:** +2 .... +8
- **Degree of protection:** IP44
- **Refrigerant:** R290
- **Capacity (kW):** 0,4
- **Frequency (Hz):** 50
- **Voltage (V):** 220 - 230



- cold basin is intended for storage of foodstuffs at +2 °C to +8 °C
- made of stainless steel
- one individual insulated cold basin (static), fits GN 1/1-150 (containers not included)
- basin has drain connection
- adjustable feet allow adjusting height of ±10mm
- **Accessories available on order:**
  - basin, fits GN 1/1-200
  - various upper and hand out shelves (see the product group of upper and hand out shelves)

[Technical drawing, PDF-file](#)

**RESTMEC**