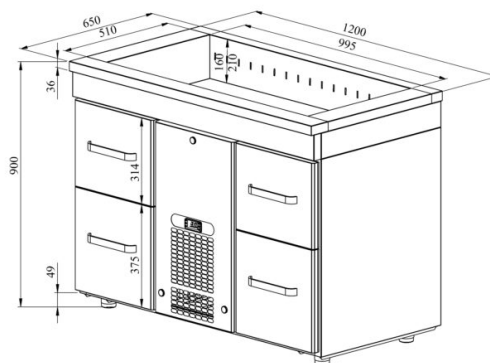


Cold counter with basin PAB 1204



- **Product code:** PAB 1204
- **Dimensions, mm (w*d*h):** 1200x650x900
- **Operating temperature:** +2 +8
- **Degree of protection:** IP44
- **Refrigerant:** R290
- **Capacity (kW):** 0,4
- **Frequency (Hz):** 50
- **Voltage (V):** 220 - 230



- cold counter is intended for storage of foodstuffs and beverages at +2 °C to +8 °C
- made of stainless steel
- digital temperature display
- automatic defrost system
- quickly replaceable refrigerating compressor
- worktop has cold basin for bottles, fits GN 1/1-150 (3 pcs)
- drawer 314mm (2 pcs): (internal dimensions: 520mm x 303mm x (h) 255mm)
- drawer 375mm (2 pcs): (internal dimensions: 520mm x 303mm x (h) 335mm)
- drawer on telescopic rails opens 110%
- drawer allows placing bottles or beverage crates
- adjustable feet allow adjusting height of +25 mm
- **Accessories available on order:**
 - stainless steel sliding rails for drawers

[Technical drawing, PDF-file](#)

RESTMEC