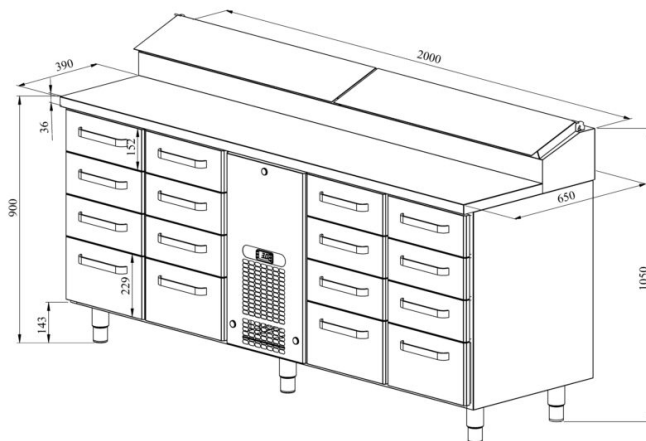


Cold counters for pizza KLE 20016



- **Product code:** KLE 20016
- **Dimensions, mm (w*d*h):** 2000x650x900
- **Operating temperature:** +2 +8
- **Degree of protection:** IP44
- **Refrigerant:** R290
- **Capacity (kW):** 0,6
- **Frequency (Hz):** 50
- **Voltage (V):** 220 - 230



- cold counter is intended for storage of foodstuffs at +2 °C to +8 °C
- made of stainless steel
- digital temperature display
- automatic defrost system
- quickly replaceable refrigerating compressor
- elevated cold basin at the back of the worktop, fits 11x (GN 1/6-150)
- cold basin has stainless steel cover
- drawers for GN containers move on self-locking telescopic rails
- drawers open 110%, making it easier to place GN containers in the drawer
- drawer 152mm (12 pcs): GN 1/1-100
- drawer 229mm (4 pcs): GN 1/1-150
- adjustable feet allow adjusting height in the range of 855–915 mm
- **Accessories available on order:**
 - liners for drawers

Cold counters for pizza KLE 20016

- stainless steel sliding rails for drawers

[Technical drawing, PDF-file](#)