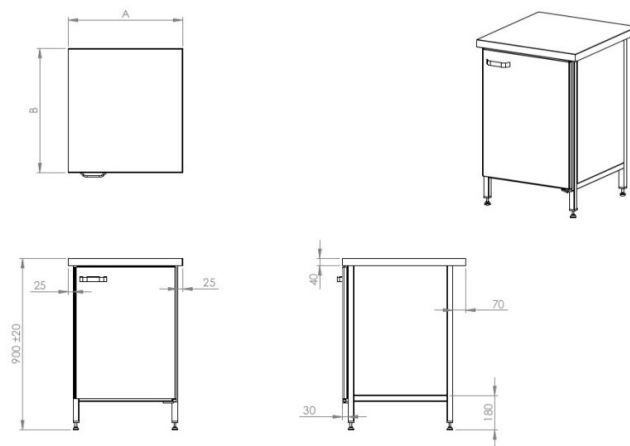


Work table with doors TLU1



- **Product code:** TLU1



- stainless steel work table with doors
- support structure underneath worktop
- stainless steel square tube work table frame (30x30mm)
- adjustable feet allow adjusting height of ± 20 mm
- work table standard depth 650mm
- **Work table accessories available on order:**
 - splash guard at the back of the table with standard height of 50 mm (can be ordered with maximum height of 200mm)

[Technical drawing, PDF-file](#)

RESTMEC