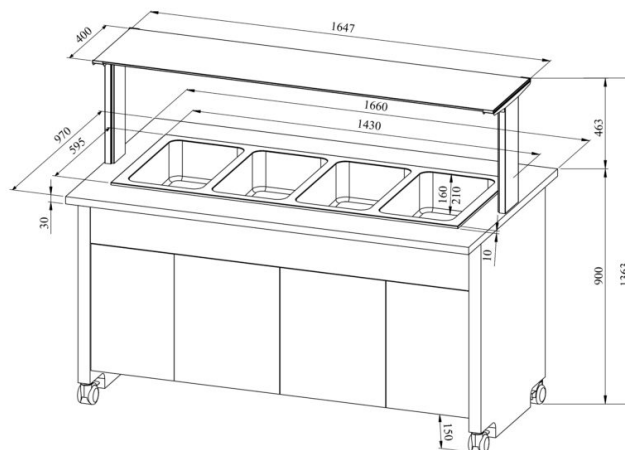


# Warm serving buffet TREND LTV BM 4GN



- **Product code:** LTV BM 4GN
- **Dimensions, mm (w\*d\*h):** 1660\*970\*1363
- **Drop In soesüvend (laius\*sügavus\*kõrgus):** 1430\*595\*328
- **Operating temperature:** +30...+95
- **Degree of protection:** IP44
- **Capacity (kW):** 2,2
- **Frequency (Hz):** 50
- **Voltage (V):** 220 - 230



- warm serving buffet is intended for short-term storage of foodstuffs at +30°C to +95°C
- made of stainless steel
- Drop-In warm basin can be mounted on tabletop
- warm basin fits GN 1/1-150 (4 pc)
- drain connection with valve at the bottom of basin
- thermostat-adjusted temperature
- upper shelf with lighting, clear glass splash guard
- buffet is on wheels, allowing easier transport (2pcs lockable wheels)
- neutral cupboard at the lower part of the buffet
- illustrative image shows buffet with UTP G upper shelve
- **Accessories available on order:**
  - various upper shelves (see the product group of upper and hand out shelves)
  - basin, depth 210mm

[Technical drawing, PDF-file](#)

**RESTMEC**